

Explosion Proof submersible pumps

KHTX-1030E

RATED DUTY: 1,000 L/min @ 60 m

The KHTX-1030E is a portable freestanding medium pressure pump in the Explosion Proof Submersible Pump series that is suited to mine water transfer and to medium flow demands. It is a high performance pump both in discharge head capacity and flow rate.

This high pressure pump features a closed impeller and excels in mine water transfer – perfect for medium flow applications. It operates safely in hazardous environments containing explosive gases and vapours with IECEx Certification.

Designed and engineered for high performance with high pressure applications providing reduced down-time and maintenance. This pump features a single impeller with upper and lower suction mouth rings providing increased wear life.

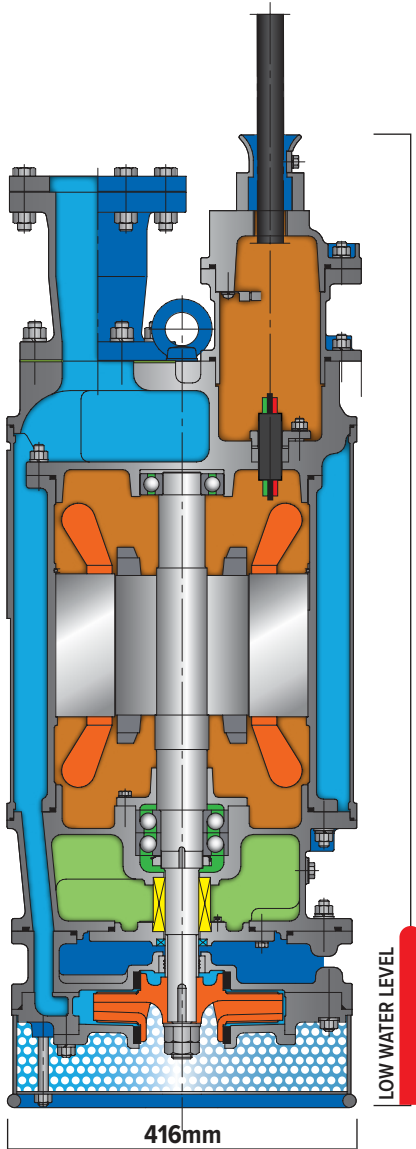
A single oil lubricated mechanical seal is doubly protected by a lower lipseal, totally isolated from the harsh pump flow and abrasion conditions. The mechanical seals are not exposed to the pump operating pressures and conditions providing much longer seal life.

The motor is effectively cooled by a separated external water chamber.

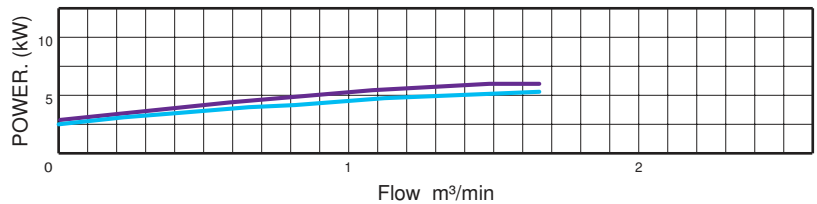
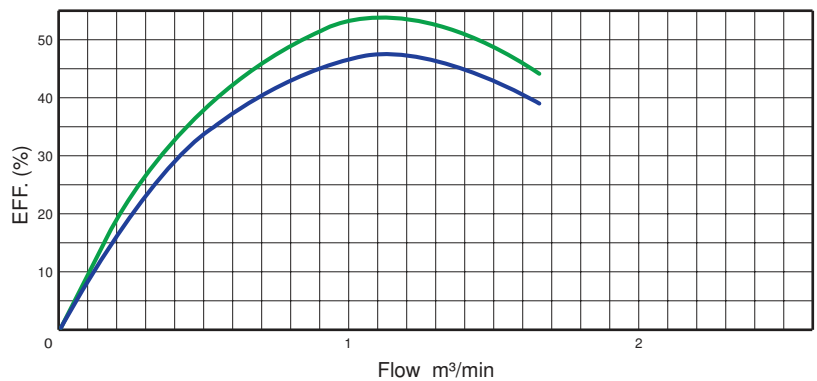
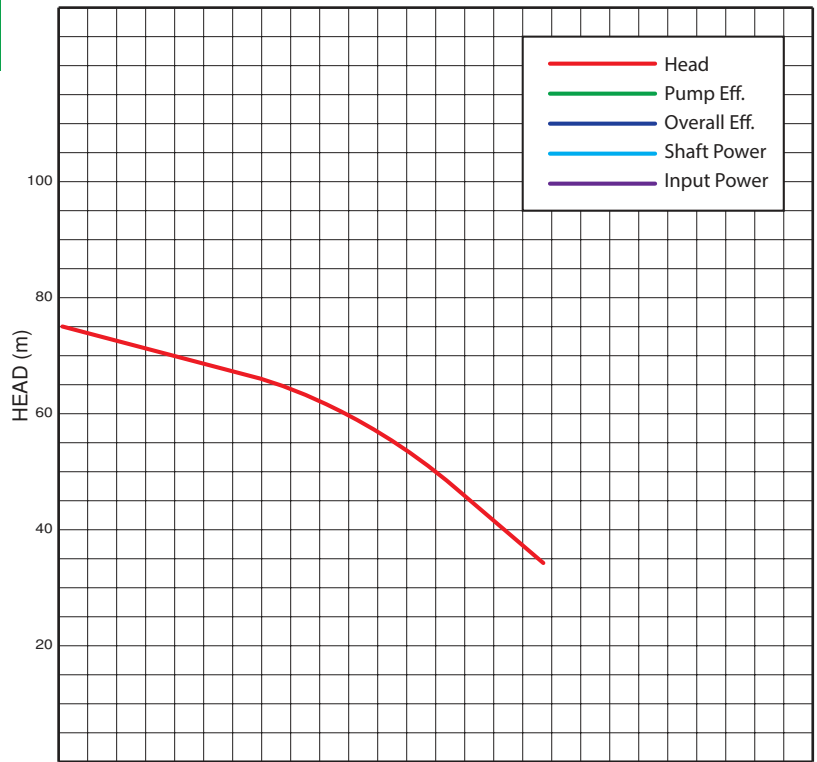
Easy care and maintenance design of the wet end makes it possible for very fast maintenance and repairs even underground.



KHTX-1030E



LOW WATER LEVEL | 215mm
 PUMP WEIGHT | 320kg (dry, excluding cable)



DENOMINATION	
Model	KHTX-1030E
Installation	Portable, free standing
Discharge connection	100mm
Impeller characteristics	Closed, medium head (MH)

PROCESS DATA	
Liquid temperature	0 – 40°C
Depth of immersion	20m max
Liquid density	1,100kg/m³ max
Strainer hole dimension	8mm
pH of pumped liquid	6-11pH

MOTOR DATA	
Frequency	50Hz
Insulation class	E
Rated voltage / phase	1000v / 3Ph
Power	22kW
Speed	2980rpm
Rated current	16A
Starting current	100A
Cable type	6mm² x 10mts

SHAFT SEALS	
Upper seal	N/A
Lower seal	Sic / Sic / NBR Mechanical seal

MATERIALS	
Pump casing	FC250 Cast iron
Impeller	High chrome iron
Suction cover	FC250 Cast iron
Mouth ring	Buna-N Rubberised mild steel
Outer casing	Mild steel
Motor housing	FC250 Cast iron
Strainer	Mild steel
Shaft	S35C Carbon steel
O-rings	Buna-N Rubber
Gaskets	Fibre reinforced rubber
Discharge connection	FC250 Cast iron
Fasteners	SUS304 Stainless steel