

Explosion Proof submersible pumps

EH-102NX

RATED DUTY: 800 L/min @ 25 m

The EH-102NX is a portable freestanding pump in the Explosion Proof Submersible Pump series that effectively doubles the output of the compact EH-85X. It outperforms much of the competition both in discharge head capacity and flow rate.

This low pressure pump featuring a closed impeller, excels in general dewatering and medium flow applications, operating safely in hazardous environments containing explosive gases and vapours with IECEx Certification.

Designed and engineered for high performance efficiencies with less down-time, this pump features both upper and lower mechanical seal protection. The upper mechanical seal is protected from harsh pumping conditions whilst cooled and lubricated in an oil chamber, which provides a much longer seal and overall pump life.

Easy care and maintenance design of the wet end makes it possible for very fast maintenance and repairs of the lower mechanical seal, suction mouth ring, impeller and suction cover even underground in most cases.

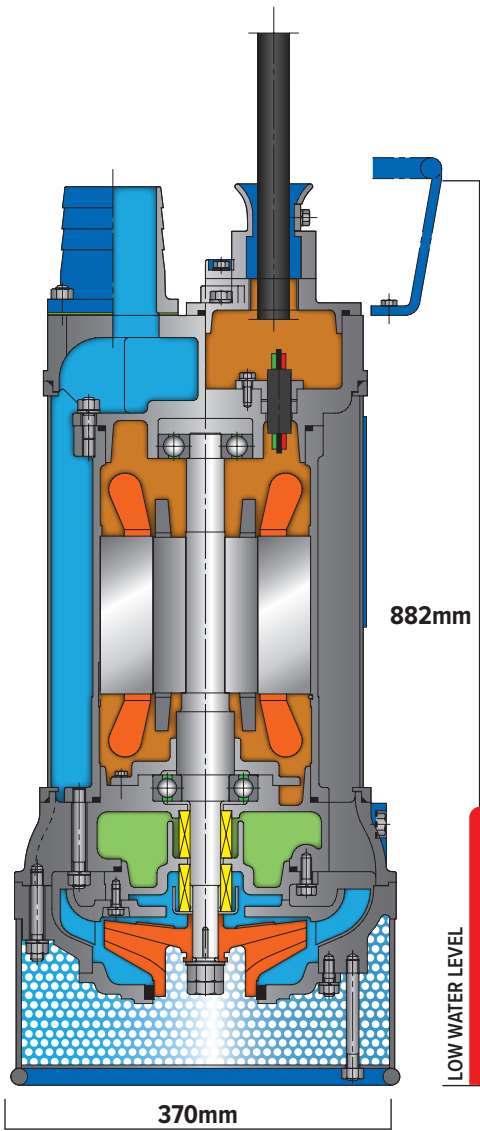


 **truflo**
PUMPING SYSTEMS™
www.truflopumps.com.au

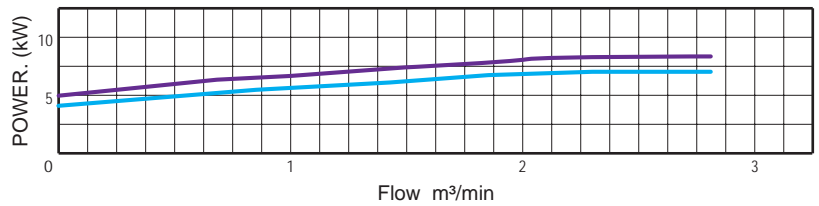
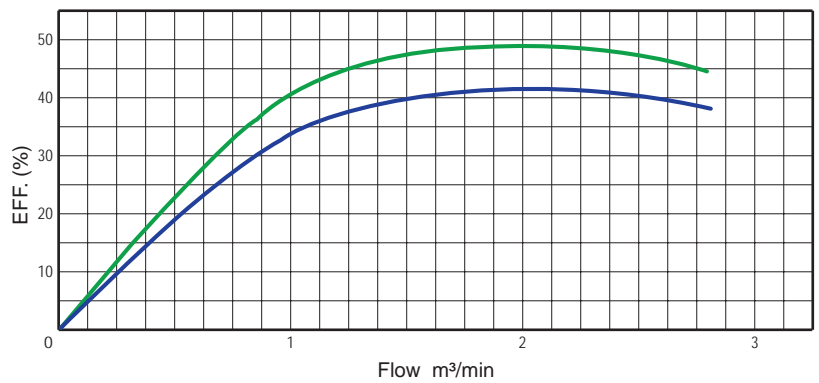
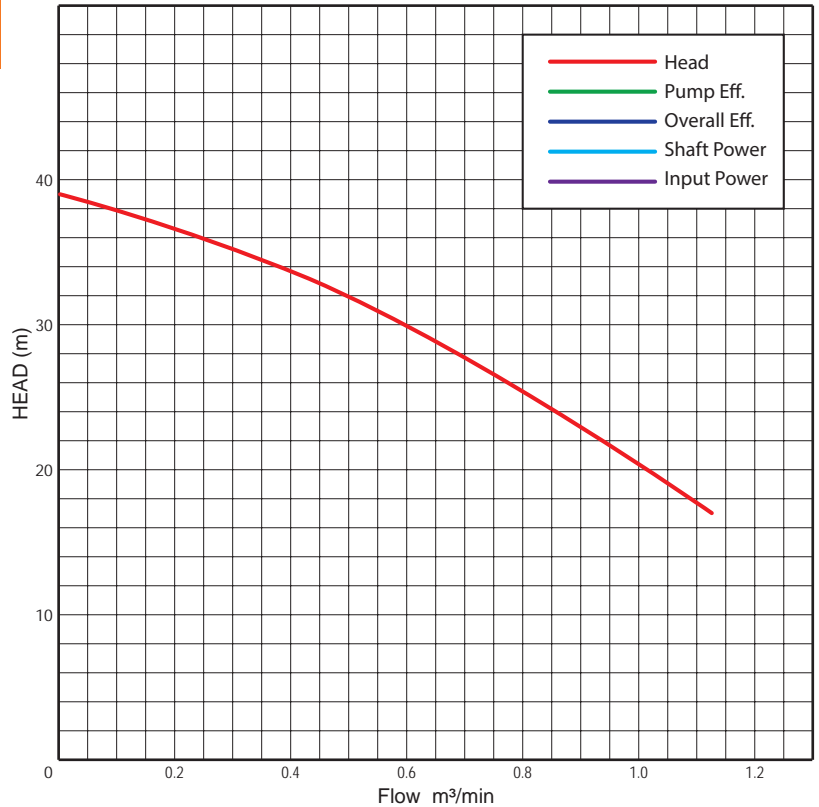
FREECALL AUSTRALIA

1800 813 677

EH-102NX



LOW WATER LEVEL | 250mm
PUMP WEIGHT | 160kg (dry, excluding cable)



DENOMINATION	
Model	EH-102NX
Installation	Portable, free standing
Discharge connection	100mm Hose tail
Impeller characteristics	Closed, low head (LH)

PROCESS DATA	
Liquid temperature	0 – 40°C
Depth of immersion	20m max
Liquid density	1,100kg/m³ max
Strainer hole dimension	12mm
pH of pumped liquid	6-11pH

MOTOR DATA	
Frequency	50Hz
Insulation class	E
Rated voltage / phase	1000v / 3Ph
Power	7.5kW
Speed	2980rpm
Rated current	5.7A
Starting current	40A
Cable type	6mm² x 10mts

SHAFT SEALS	
Upper seal	Carbon / Sic / NBR mechanical seal
Lower seal	Sic / Sic / NBR Mechanical seal

MATERIALS	
Pump casing	FC250 Cast iron
Impeller	High chrome iron
Suction cover	FC250 Cast iron
Mouth ring	Buna-N Rubberised mild steel
Outer casing	Mild steel
Motor housing	FC250 Cast iron
Strainer	Mild steel
Shaft	S35C Carbon steel
O-rings	Buna-N Rubber
Gaskets	Fibre reinforced rubber
Discharge connection	FC250 Cast iron
Fasteners	SUS304 Stainless steel