



## **Water Truck Fill Point Stand Pipe**

Tru-Flo Pumping System's water truck fill point stand pipes are available for the mining, civil, and oil and gas industries.

Available in a range of sizes to suit all sizes of trucks from

- civil road going trucks,
- articulated off road water carts, right through to the largest of the mining water carts,

With NB diameters from 150mm up to 450mm, with flow capacities of up to 500L/s help you substantially reduce your fill times.

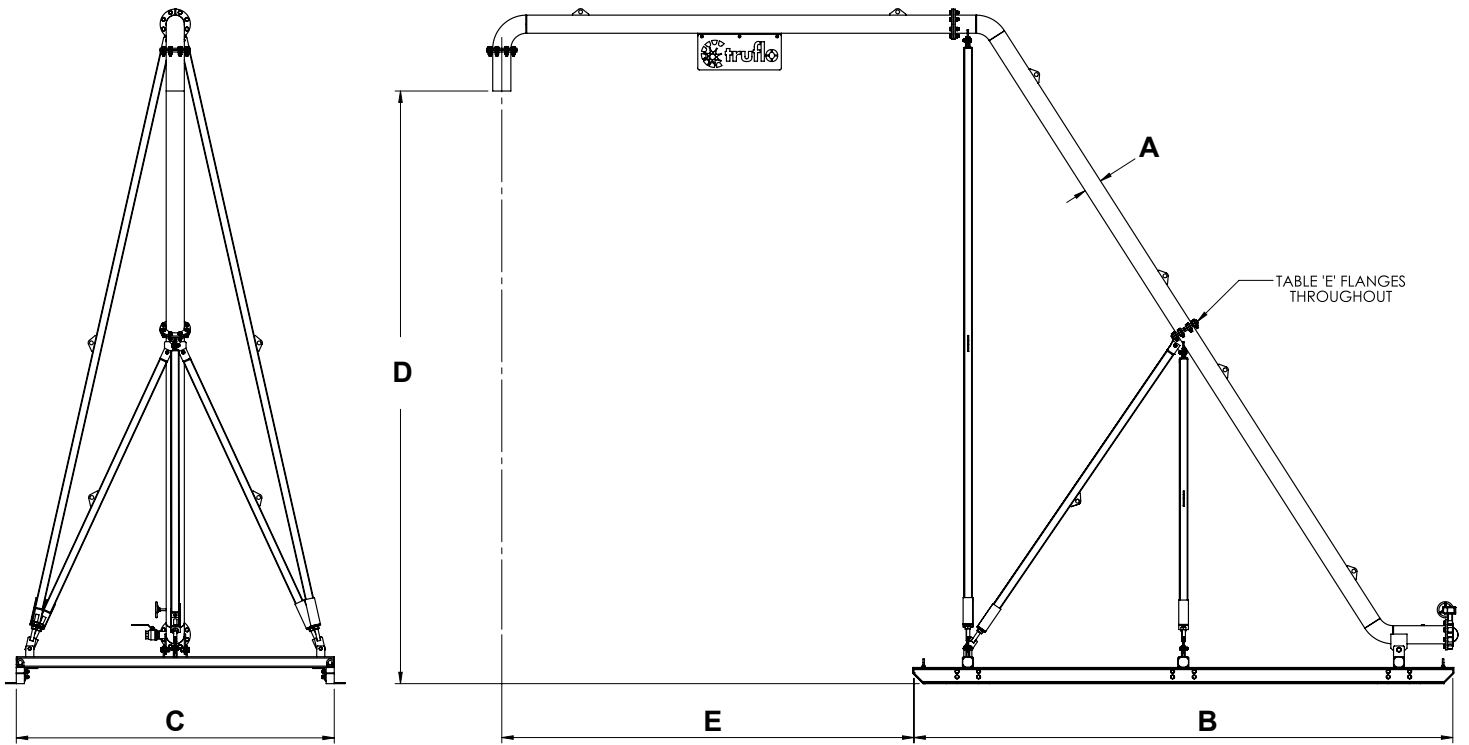
Option of cyclone rating for high wind and cyclone prone areas.

**FREECALL: 1800 813 677**

**[www.truflopumps.com.au](http://www.truflopumps.com.au)**

8-14 Irving Place, Bathurst NSW 2795

# STAND PIPE



\*All measurements are in mm

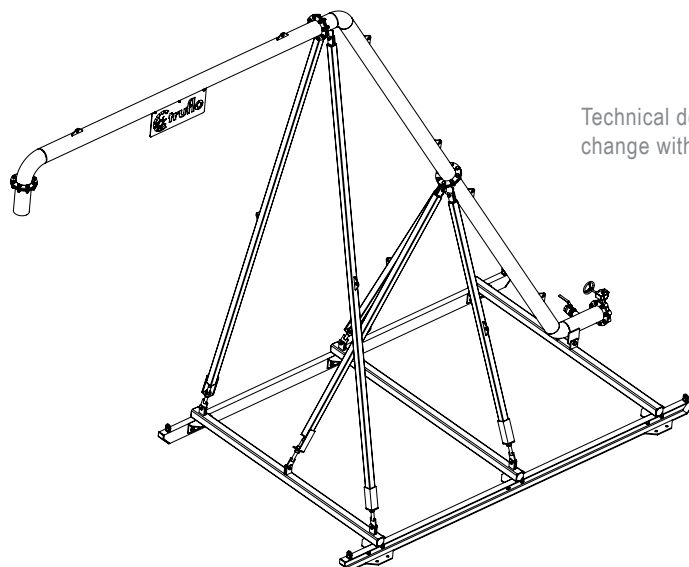
## SPECIFICATIONS

ITEM	DESCRIPTION	A	B	C	D	E
1	100mm (4") Stand pipe Assembly	100NB	4000	2650	4692	2477
2	150mm (6") Stand pipe Assembly	150NB	5000	2950	5500	2825
3	200mm (8") Stand pipe Assembly	200NB	5000	2950	5900	3900
4	250mm (10") Stand pipe Assembly	250NB	6400	3535	8050	4525
5	300mm (12") Stand pipe Assembly	300NB	6400	3535	8050	4525
6	400mm (16") Stand pipe Assembly	400NB	6400	3535	8050	4525

\* Customisations available to suit your site requirements

## APPLICATIONS

- ▶ Mining
- ▶ Ground dewatering
- ▶ Quarries
- ▶ Pipeline & drilling
- ▶ Environmental
- ▶ Construction
- ▶ Evaporation projects
- ▶ Sludge & slimes
- ▶ Water transfer



Technical details subject to change without notice.