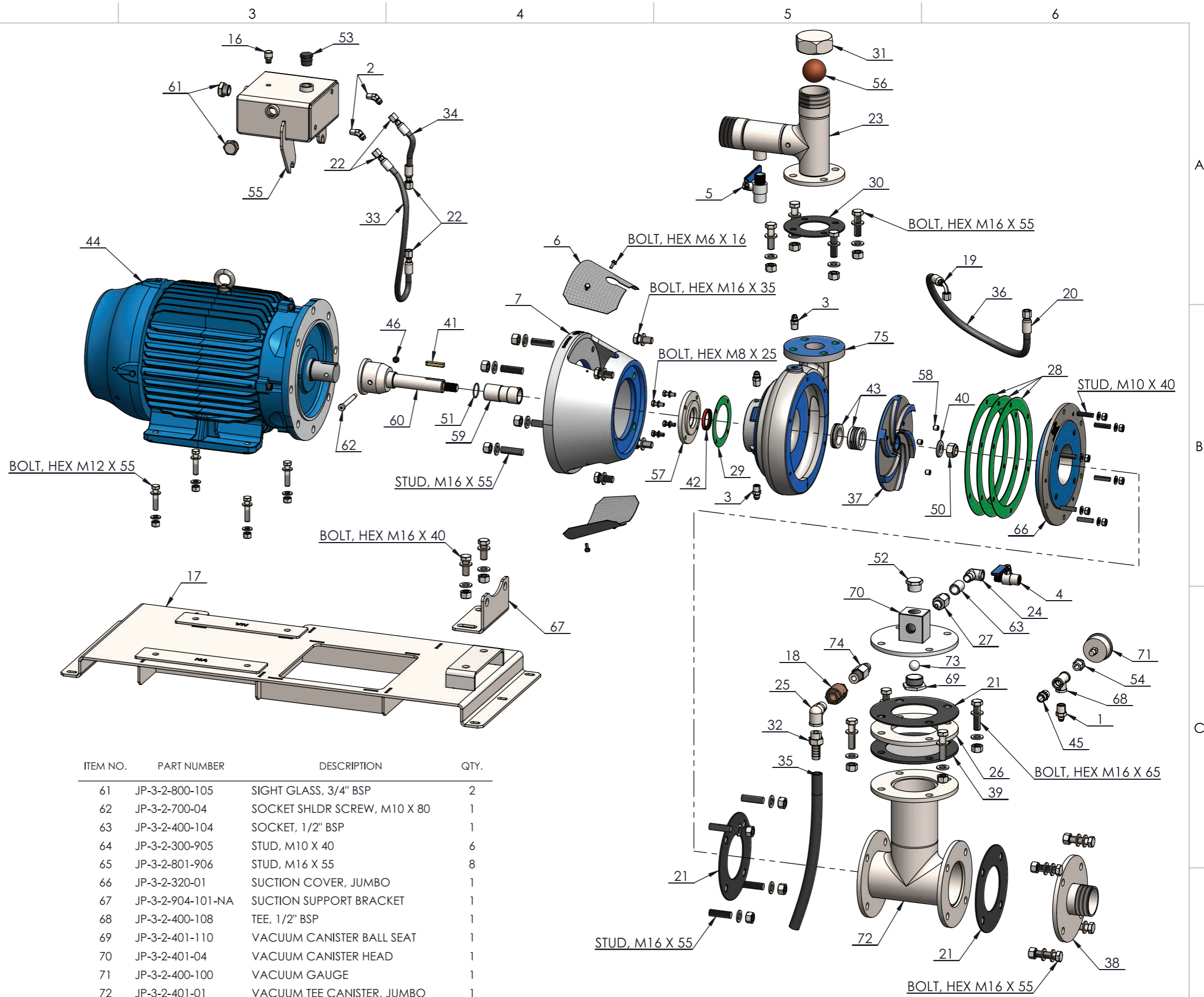


ITEM NO.	PART NUMBER	DESCRIPTION	QTY.
1	JP-3-2-400-120	ADAPTOR, 1/2" BSP X 9/16" JIC	1
2	JP-3-2-800-104	ADAPTOR, 1/4" BSP X 9/16" JIC 45	2
3	JP-3-2-300-102	ADAPTOR, 3/8" BSP X 9/16" JIC	3
4	JP-3-2-401-108	BALL VALVE 1/2" M F	1
5	JP-3-2-501-108	BALL VALVE, 3/4" BSP	1
6	JP-3-2-200-101	BELL HOUSING GUARD	2
7	JP-3-2-200-01	BELL HOUSING, JUMBO	1
8	JP-3-2-200-903	BOLT, HEX M6 X 16	4
9	JP-3-2-300-903	BOLT, HEX M8 X 25	4
10	JP-3-2-100-901	BOLT, HEX M12 X 55	4
11	JP-3-2-200-902	BOLT, HEX M16 X 35	4
12	JP-3-2-801-901	BOLT, HEX M16 X 40	2
13	JP-3-2-401-909	BOLT, HEX M16 X 50	2
14	JP-3-2-401-908	BOLT, HEX M16 X 55	6
15	JP-3-2-401-905	BOLT, HEX M16 X 65	4
16	JP-3-2-800-101	BREATHER, 1/4" BSP	1
17	JP-3-2-902-101-NA	CASSETTE	1
18	JP-3-2-400-103	CHECK VALVE 3/4" BSP	1
19	JP-3-2-300-108	COUPLING 9/16" JIC X 3/8" HOSE 90	1
20	JP-3-2-400-121	COUPLING, 9/16" JIC X 3/8" HOSE	1
21	JP-3-2-320-101	COVER PLATE SEAL	3
22	JP-3-2-800-106	CPLING 9/16" JIC X 1/4" HOSE	4
23	JP-3-2-501-01-NA	DISCHARGE TEE 2-1/2" NPT	1
24	JP-3-2-400-114	ELBOW, 1/2" BSP M F	1
25	JP-3-2-400-115	ELBOW, 3/4" BSP M F	1
26	JP-3-2-401-801	FLANGE, 100NB TABLE D	1
27	JP-3-2-400-102	FRONT INLET NIPPLE	1
28	JP-3-2-315-01	GASKET	3
29	JP-3-2-300-101	GASKET	1
30	JP-3-2-300-104	GASKET, RUBBER 2"	1
31	JP-3-2-500-101	HEX CAP, 2-1/2" BSP	1
32	JP-3-2-400-116	HOSE BARB, 3/4" BSP X 3/4" HOSE	1
33	JP-3-2-300-106	HOSE, 1/4"	1
34	JP-3-2-801-104	HOSE, 1/4"	1
35	JP-3-2-500-104	HOSE, 3/4"	1
36	JP-3-2-300-20	HOSE, 3/8"	1
37	JP-3-2-310-01	IMPELLER, JUMBO	1
38	JP-3-2-421-01-NA	INLET CON. PLATE 2-1/2" NPT	1
39	JP-3-2-401-03	INLINE FILTER	1
40	JP-3-2-700-903	JUMBO PUMP WASHER	1
41	JP-3-2-700-02	KEY 9.5 X 8	1
42	JP-3-2-330-901	LIP SEAL	1
43	JP-3-2-350	MECHANICAL SEAL	1
44	JP-3-2-100-105	MOTOR, 22KW 2 POLE 460V 60Hz	1
45	JP-3-2-400-118	NIPPLE, 1/2" BSP	1
46	JP-3-2-700-102	NUT, NYLOC M8	1
47	JP-3-2-320-901	NUT, NYLOC M10	6
48	JP-3-2-100-903	NUT, NYLOC M12	4
49	JP-3-2-421-904	NUT, NYLOC M16	22
50	JP-3-2-700-901	NUT, NYLOC M20	1
51	JP-3-2-330-902	O-RING	1
52	JP-3-2-400-101	PIPE PLUG, 1" BSP	1
53	JP-3-2-800-102	PIPE PLUG, 3/4" BSPT	1
54	JP-3-2-400-119	REDUCER, 1/2" BSP X 1/4" BSP	1
55	JP-3-2-801-02	RESERVOIR TANK	1
56	JP-3-2-501-102	RUBBER BALL	1
57	JP-3-2-330-01	SEAL COVER	1
58	JP-3-2-310-106	SET SCREW, M12 X 12	3
59	JP-3-2-700-03	SHAFT SLEEVE	1
60	JP-3-2-700-01-NA	SHAFT, JUMBO	1



ITEM NO.	PART NUMBER	DESCRIPTION	QTY.
61	JP-3-2-800-105	SIGHT GLASS, 3/4" BSP	2
62	JP-3-2-700-04	SOCKET SHLDR SCREW, M10 X 80	1
63	JP-3-2-400-104	SOCKET, 1/2" BSP	1
64	JP-3-2-300-905	STUD, M10 X 40	6
65	JP-3-2-801-906	STUD, M16 X 55	8
66	JP-3-2-320-01	SUCTION COVER, JUMBO	1
67	JP-3-2-904-101-NA	SUCTION SUPPORT BRACKET	1
68	JP-3-2-400-108	TEE, 1/2" BSP	1
69	JP-3-2-401-110	VACUUM CANISTER BALL SEAT	1
70	JP-3-2-401-04	VACUUM CANISTER HEAD	1
71	JP-3-2-400-100	VACUUM GAUGE	1
72	JP-3-2-401-01	VACUUM TEE CANISTER, JUMBO	1
73	JP-3-2-401-107	VENTURI BALL	1
74	JP-3-2-400-105	VENTURI OUTLET NIPPLE	1
75	JP-3-2-300-01	VOLUTE, JUMBO	1
76	JP-3-2-200-904	WASHER, M6	4
77	JP-3-2-300-902	WASHER, M8	4
78	JP-3-2-320-903	WASHER, M10	6
79	JP-3-2-100-902	WASHER, M12	8
80	JP-3-2-200-902	WASHER, M16	40

TRUFLO PUMPING SYSTEMS ABN 80 147 423
 516 OWNS THE COPYRIGHT TO THIS DRAWING
 WHICH IS ITS EXCLUSIVE PROPERTY AND
 WHICH IS SUPPLIED IN CONFIDENCE AND
 WHICH MUST NOT BE USED FOR ANY
 PURPOSE OTHER THAN THAT EXPRESSLY
 PERMITTED IN WRITING BY THE OWNERS AND
 MUST NOT BE DISCLOSED OR PRODUCED
 WITHOUT PERMISSION FROM THE OWNERS IN
 WRITING. THIS DRAWING MUST BE RETURNED
 TO THE OWNERS WHEN THE PURPOSE FOR
 WHICH IT IS SUPPLIED HAS CEASED.

truflo
PUMPING SYSTEMS™

ABN: 80 147 423 516
 8-12 IRVING PLACE, BATHURST, NSW 2795
 PH: 02 6333 4500 FAX: 02 6332 3607
 EMAIL: truflo@truflopumps.com.au

TYPE:
JUMBO PUMP NA
 MODEL:
TF65X65-230

DRW NO:
JP-3-2-03

ALL DIM. IN MM DO NOT SCALE	DRAWN I. ROXBURGH 8/01/2021	CHECKED	APPROVED	REV A	SIZE A3	AS 1100 ☉ ☒	SCALE 1:10	SHEET 1 OF 1
--------------------------------	-----------------------------------	---------	----------	----------	------------	----------------	---------------	-----------------